

FEATURES

- 60" x 32" Tub Walls for existing construction.
- Solid Surface material for superior strength, beauty and easy cleaning. Surface will not support bacteria growth.
- Walls can be attached to moisture-resistant wall board, or directly over tile with supplied adhesive. Walls are trimmable for custom fit.
- Integrated pieces fit together for an easy, clean installation.
- 3 Piece Wall Kit includes two end walls, back wall and trim kit which includes 2 corner cove molding pieces, 2 corner blocks, finish trim to fit along the top of wall panels and down the outer sides to the shower base, one 11-oz. tube color-matched caulk, three 11-oz. tubes 100% silicone adhesive and one roll mounting tape.
- 5 Year Limited Residential Warranty / 1 Year Commercial Warranty

COLORS

- 13 Décor colors.

OPTIONS

- Matching shower base.
- 3 Shampoo Caddies, Corner Shelf, Corner Soap Dish and a Window Trim Kit also available. See Accessories Specification sheet for details.



Shown with ACCESS0004 Double Corner Shelf

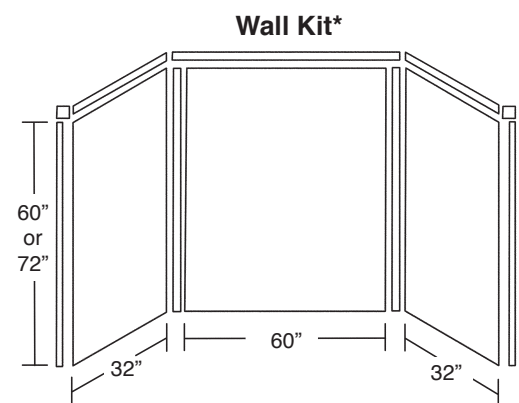
Specified Model

	SIZE	MODEL NO.	DESCRIPTION	Width	Depth	Height
TUB WALL KIT						
<input type="checkbox"/>	60" x 32"	WK326060	Tub Wall Kit	60"	to 32"	60"
<input type="checkbox"/>	60" x 32"	WK326072	Tub Wall Kit	60"	to 32"	72"
OPTIONAL COMPONENTS						
	Caddies, Shelves, and Window Trim Kit (see separate spec. sheet)					

To Be Specified: Color (see below)

Colors (See color samples on back of Décor Accessories specification page)

<input type="checkbox"/>	A5 White	<input type="checkbox"/>	A4 Sand Castle
<input type="checkbox"/>	A6 Cameo	<input type="checkbox"/>	A8 Matrix White
<input type="checkbox"/>	A7 Biscuit	<input type="checkbox"/>	B0 Matrix DusK
<input type="checkbox"/>	A1 Moonlight	<input type="checkbox"/>	B1 Matrix Khaki
<input type="checkbox"/>	A0 Desert Earth	<input type="checkbox"/>	B2 Matrix Sand
<input type="checkbox"/>	A2 Seaside	<input type="checkbox"/>	B9 Matrix Summit
<input type="checkbox"/>	A3 Peppered Sage		



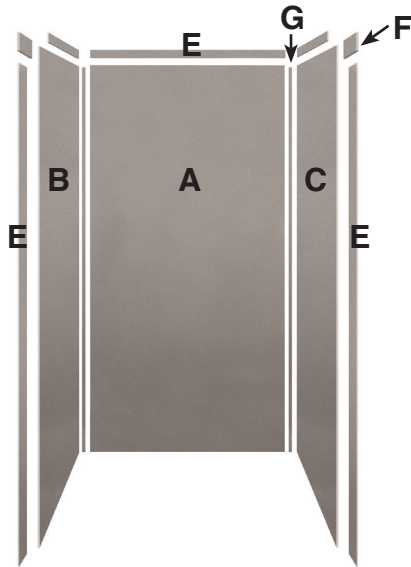
*Can be trimmed to fit

60" x 32" tub walls WK3260



INSTALLATION NOTES:

This product is to be installed according to the installation guide supplied with shower walls. This product designed to be installed over clean, smooth tile, waterproof drywall or cement board. If installing directly over tile, remove all loose pieces and fill for a consistent, smooth substrate.

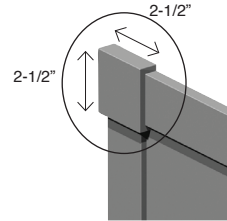


E. Outside Finish Edge Trim



Outside Finish Edge Trim fits along the top of the wall panels and down the outer edge of the wall panel sides to the shower base.

F. Corner Block Trim



The solid surface corner blocks (set of 2) used at the top outside corners of the walls for a decorative finished appearance.

G. Inside Corner Cove Molding



Inside Corner Cove Molding (2 pieces) included for out of square installation.

	MODEL #	DESCRIPTION
	WK326060	3-piece Wall Kit - 60" H
	WK326072	3-piece Wall Kit - 72" H
A		Back Wall (1 panel)
B		Left End Wall (1 panel)
C		Right End Wall (1 panel)

DECOR

OPTIONS: ACCESSORIES

Available for on-site installation. Must be ordered separately. See Accessories Specification for further information.



Corner Soap Dish
SOAPDISH03



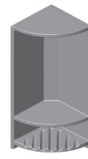
Recessed Shampoo Caddy
ACCESS0001



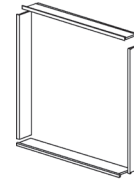
Recessed Shampoo Caddy
ACCESS0002



Recessed Shampoo Caddy
ACCESS0003



Double Corner Shelf
ACCESS0004



Window Trim Kit
WTK03636

Product Information

MODEL NO.	SHOWER DOOR	
	MAXIMUM WIDTH	MAXIMUM HEIGHT
WK326060	58"	57-1/2"
WK326072	58"	69-1/2"