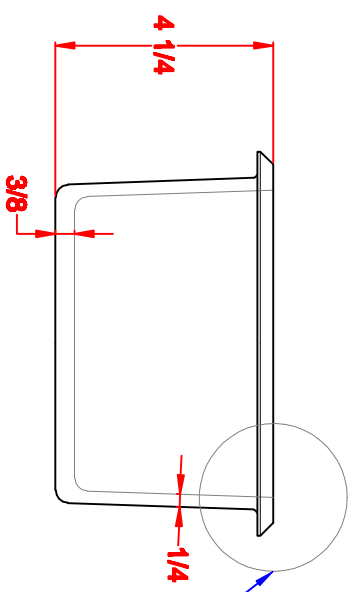
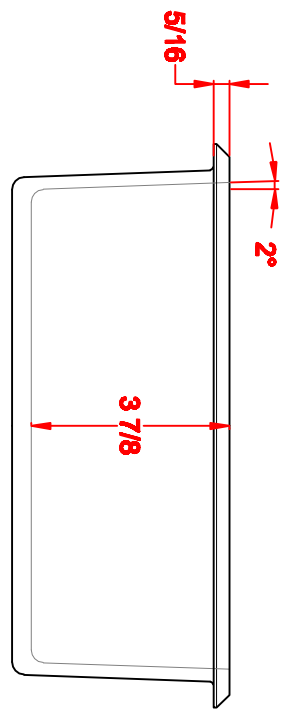
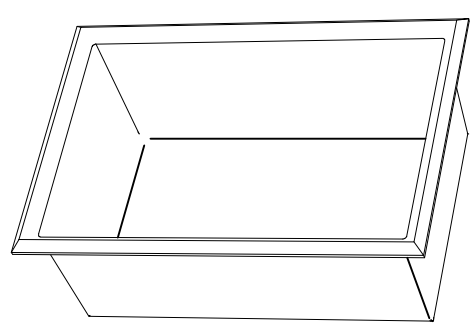
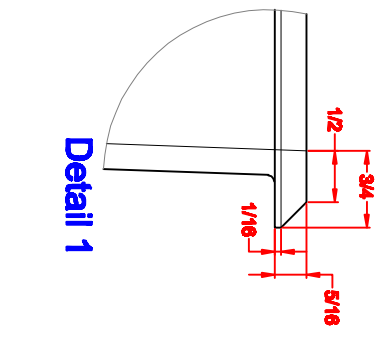
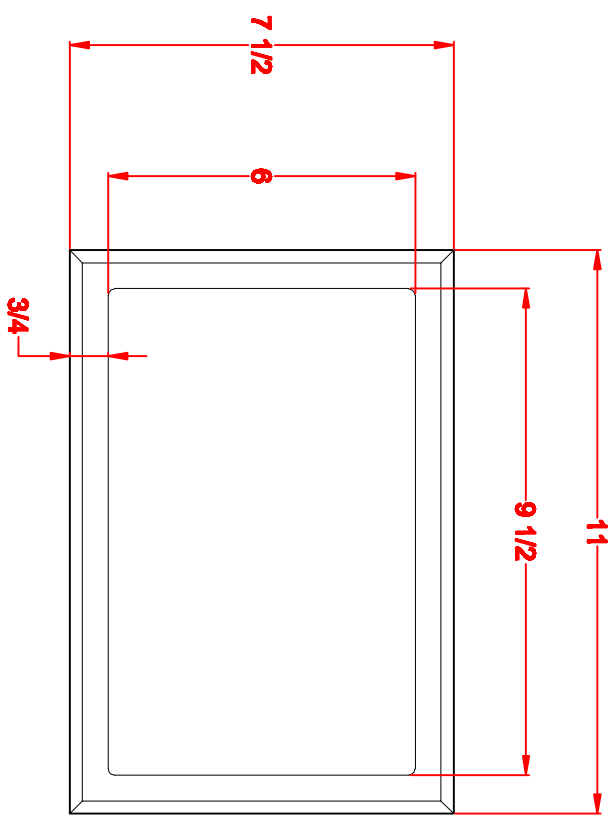


Rev #	Rev #



SEE DETAIL 1

Customer Approval: \_\_\_\_\_  
 Path: [Engineering@transolid.com](mailto:Engineering@transolid.com)  
 Date: \_\_\_\_\_

400 Dietz Road  
 Warren, OH 44482  
 800-768-2452  
 FAX 330-399-4421  
 www.transolid.com

Part Number:	7ACCESS0001XX		
Description:	Shower Caddy 7 1/2" X 11"		
Date Drawn:	08 / 03 / 2011	Weight:	
Drawn By:	Carlos Hernandez	Revised By:	
Approved By:		Date Revised:	
		Scale:	None