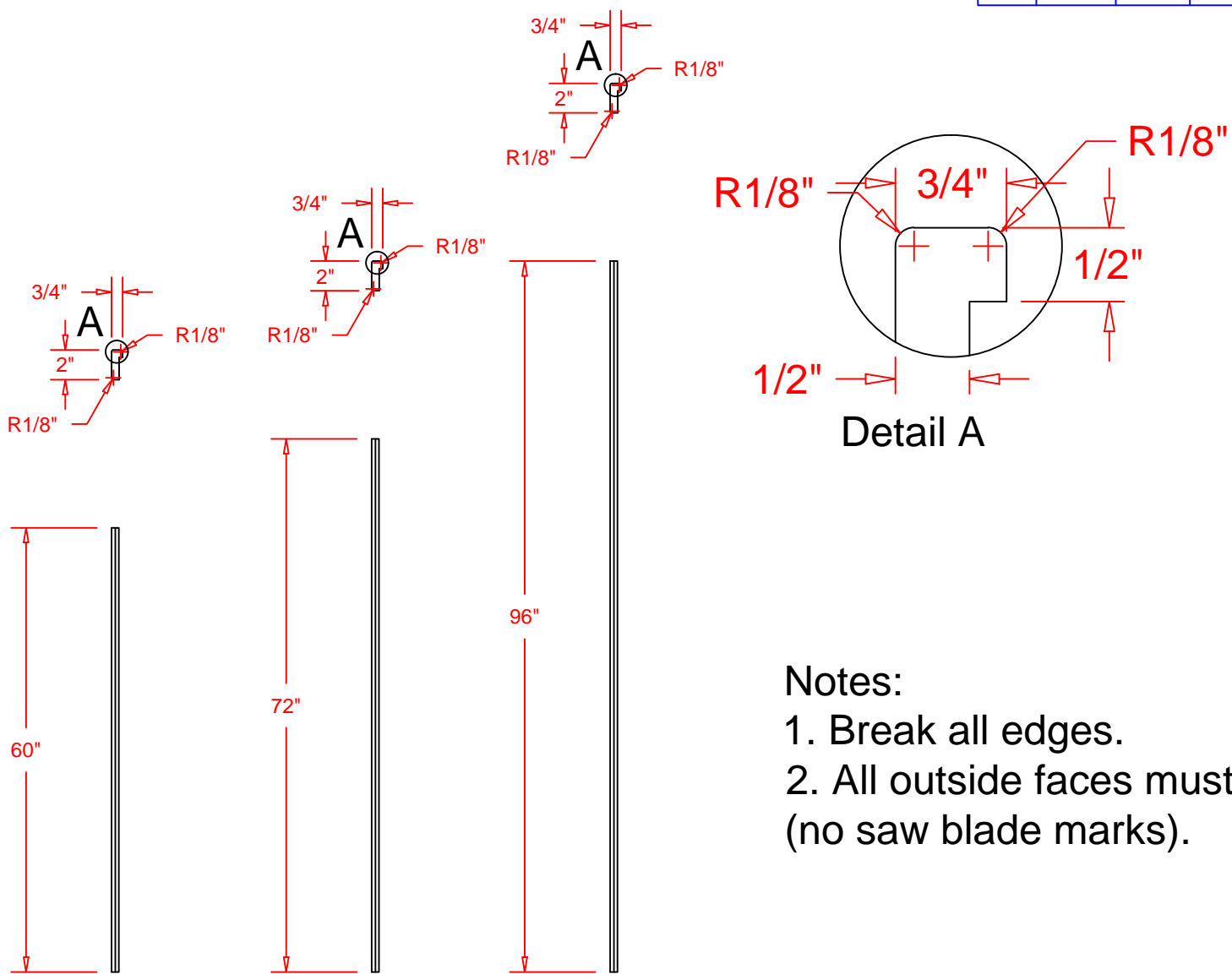


Rev #			
Rev #			



- Notes:
1. Break all edges.
 2. All outside faces must be finished sanded. (no saw blade marks).

Customer Approval: _____ Date: _____
 Path: @Engineering\2 Commercial\



Part Number:	TRIM000602, TRIM000722, TRIM000962		
Description:	Wall Edge Trim, 1/2" x 3/4" x 2" x See Above		
Date Drawn:	04/11/14	Weight:	None
		Scale:	None
Drawn By:	Daniel Hollifield	Revised By:	
Approved By:		Date Revised:	